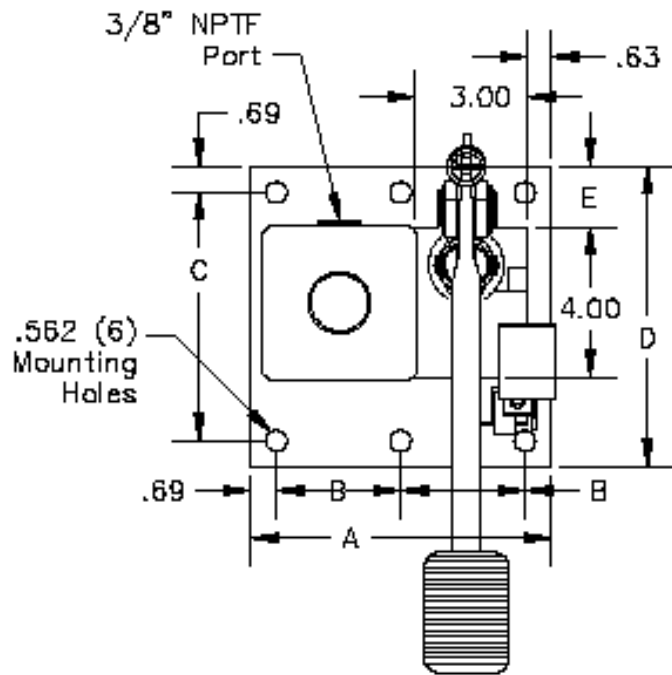


Star Hydraulics, LLC
Series FCP Foot Operated Hydraulic Pump.



	Standard Reservoirs, Volume in cubic inches		
	80	160	250
A	8	8	10
B	3.31	3.31	4.31
C	6.63	6.63	7.63
D	8	8	9
E	1.63	1.63	2.50
F	4	4	6
G	10.75	16.50	12.75

